



LED Light Kit Installation Instructions

Covers Part #10886

Kit contents:

- LED light bar harness assembly (front light bar with lens & rear light bars)
- Rear light bar covers (2)
- Rear light bar lens (2)
- Extension harness
- Body cutting template
- 2.5x8mm cap screws (BCS) (5)
- 1.6x7mm cap screws (self-tapping) (BCS) (4)
- Zip ties (6)

Tools needed:

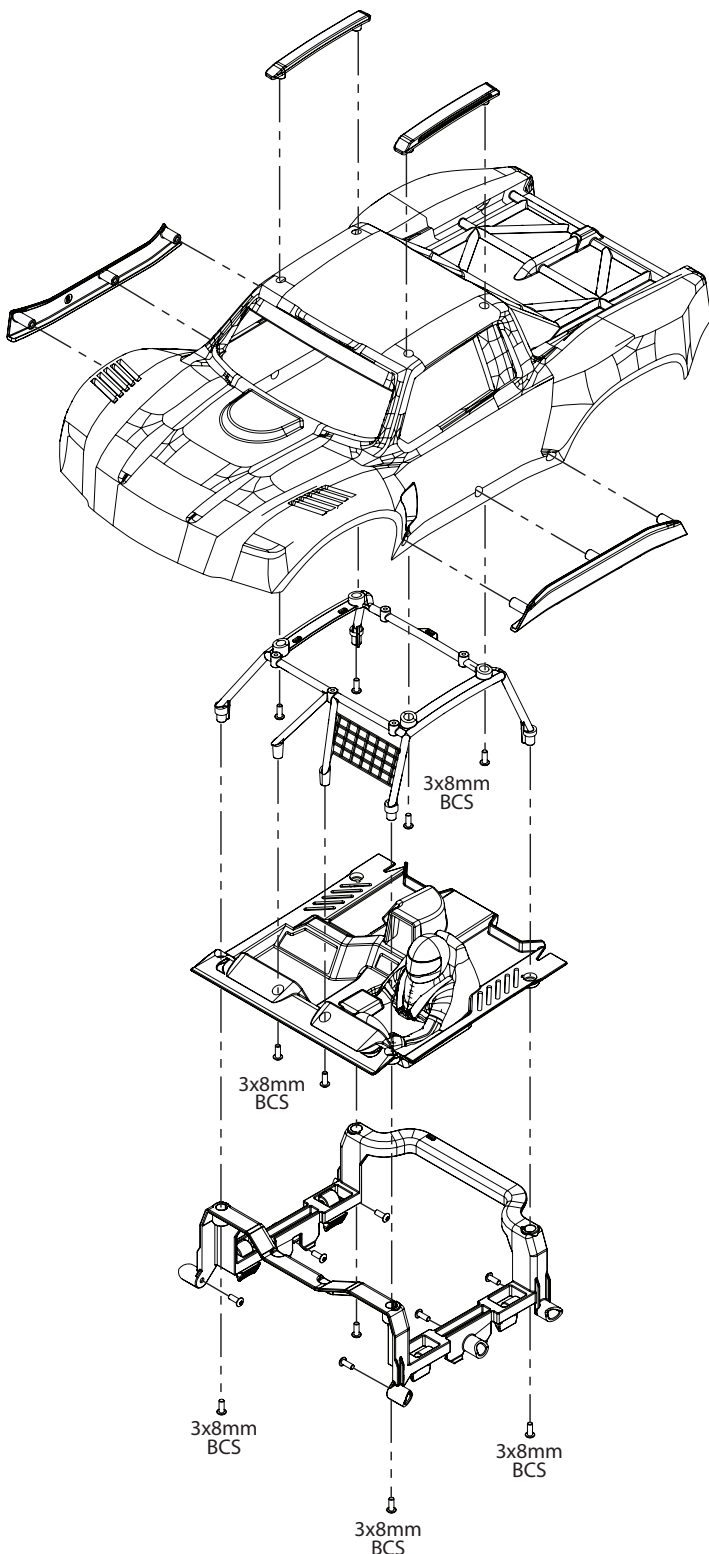
- 2.0 mm hex wrench
- 1.5 mm hex wrench
- Tapered body reamer (part #3433 or #3433X, sold separately)
- Body scissors (part #3431 or #3432, sold separately)
- Hobby knife (part #3437, sold separately)



CAUTION: RISK OF INJURY!

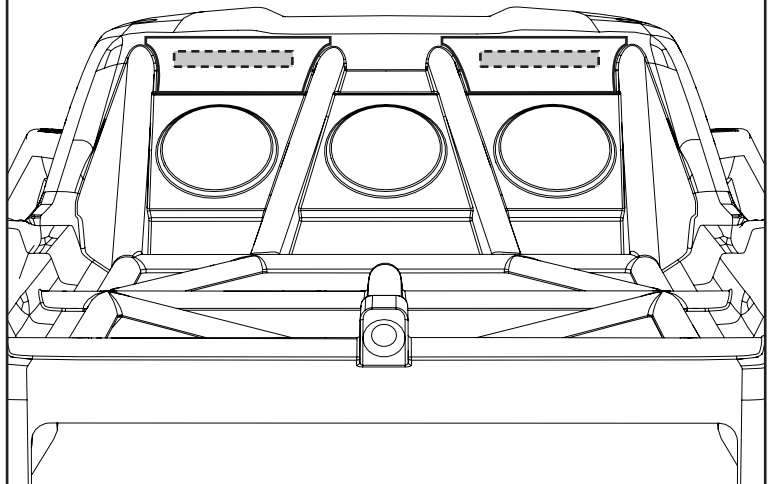
Use care with hobby knives, tapered reamers, and other cutting tools as they are extremely sharp and can cause severe injury, deep cuts, and/or punctures.

- 1** Remove the roof skids, body cage, body interior, side trim, and cross brace from the truck body.

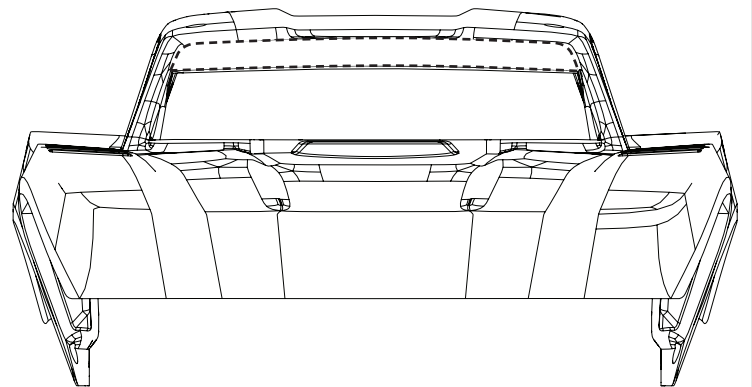


2a Body modification:

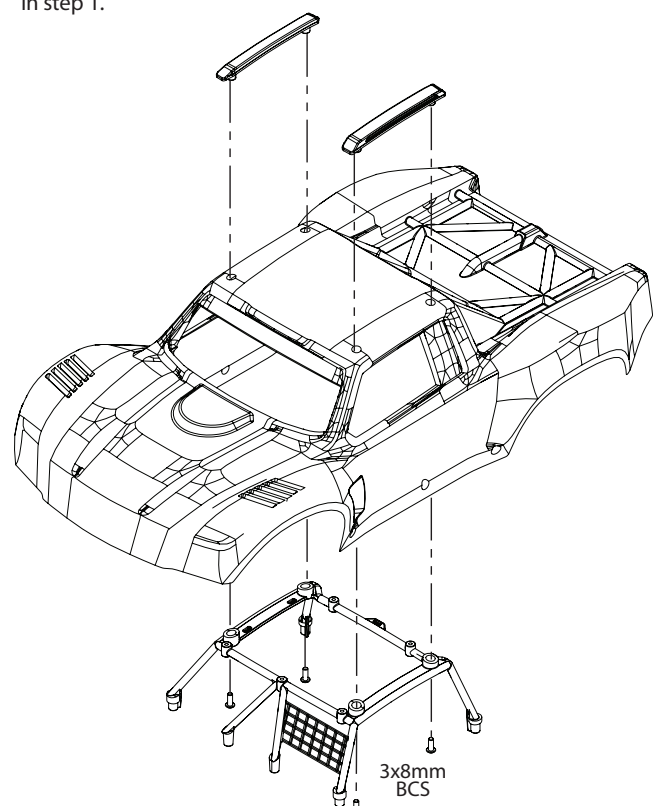
Before installation of the front and rear light bars, the vehicle body will need modification. Peel the backing from the included self-adhesive cutting templates. Install the templates on the rear of the vehicle body, aligning the bottom edge of the templates with the body as shown. Using a tapered body reamer and hobby knife, carefully cut holes in the body for the rear light bars.



- 2b** Using a hobby knife or body scissors, carefully remove the upper portion of the front windshield for the front light bar. Cut along the existing body lines as shown.



- 3** Reinstall the roof skids and body cage using the 3x8mm BCS (4) removed in step 1.



4 Install the front light bar assembly on the body cage using the included 2.5x8mm BCS (3).

5 Install the rear light bars on the body cage using the included 2.5x8mm BCS (2).

6 Attach the rear light bar covers (2) and lens (2) to the rear light bar housing from the outside of the truck body as shown using the included 1.6x7mm BCS (self-tapping) (4).

7 Reinstall the body interior, cross brace, and side trim using the 3x8mm BCS (12).

8 Use the included zip ties (6) to secure the wires to the body cage in the locations shown

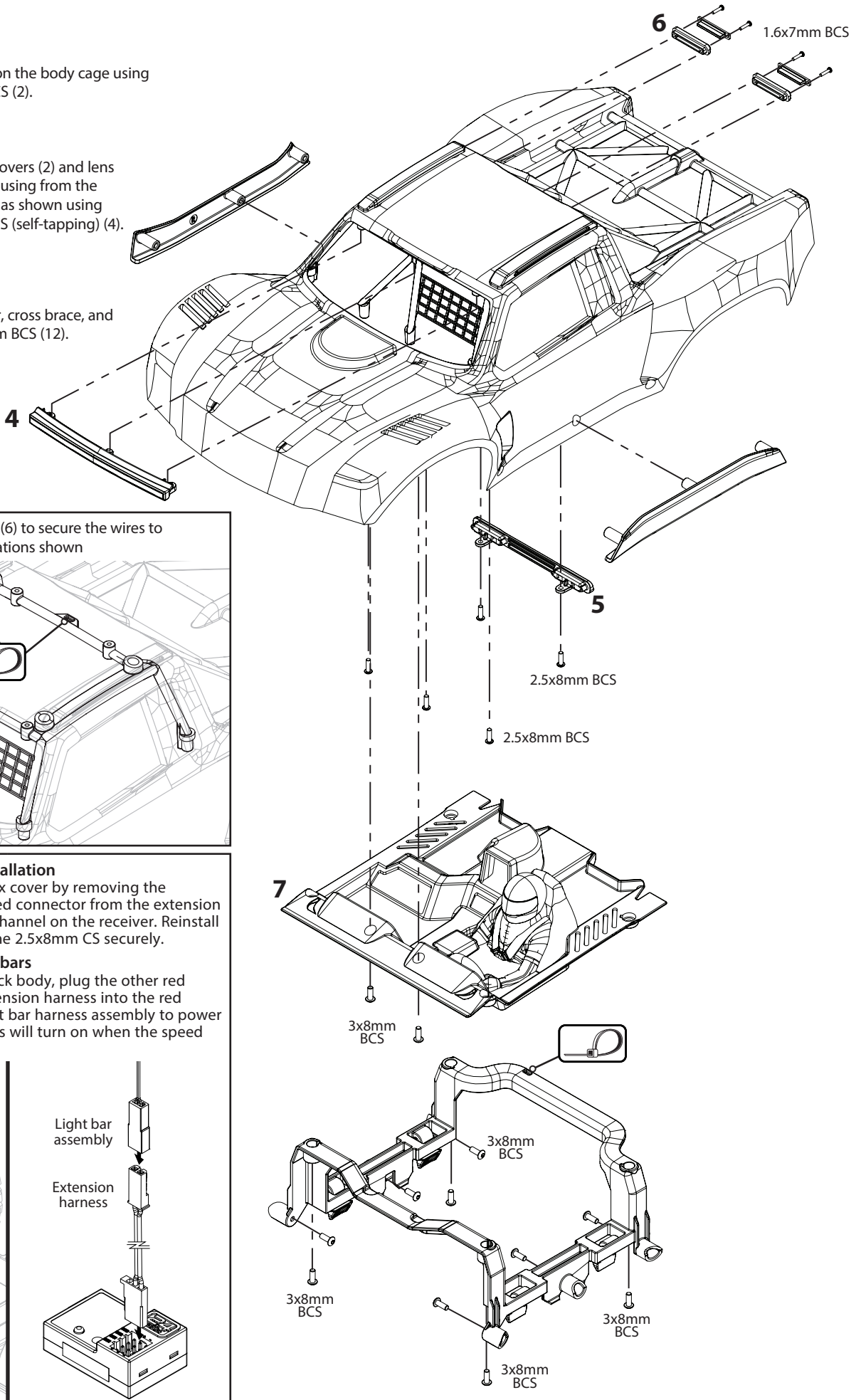
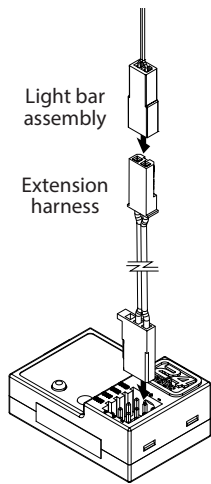
9 Extension harness installation
Remove the receiver box cover by removing the 2.5x8mm CS. Plug the red connector from the extension harness into any open channel on the receiver. Reinstall the cover and tighten the 2.5x8mm CS securely.

Connect the LED light bars

Before installing the truck body, plug the other red connector from the extension harness into the red connector from the light bar harness assembly to power the LED lights. The lights will turn on when the speed control is turned on.

Light bar assembly

Extension harness



Limited Warranty Information

Traxxas electronic components are warranted to be free from defects in materials and workmanship for a period of 30 days from the date of purchase.

Limitations: Any and all warranty coverage does not cover replacement of parts and components damaged by abuse, neglect, improper or unreasonable use, crash damage, water or excessive moisture, chemical damage, improper or infrequent maintenance, accident, unauthorized alteration or modification or items that are considered consumable. Traxxas will not pay for the cost of shipping or transportation of a defective component to us.

Traxxas Lifetime Electronics Limited Warranty

After the expiration date of the warranty period, Traxxas will repair electronic components for a flat rate. Please visit Traxxas.com/support for a current schedule of warranty costs and fees. The covered repairs are limited to non-mechanical components that have NOT been subjected to abuse, misuse, or neglect. Products damaged by intentional abuse, misuse, or neglect may be subject to additional charges. Traxxas liability, in no case, shall be greater than the actual purchase price of this product. For replacement, product must be returned in brand new condition, with packaging and itemized sales receipt.

If you have questions or need technical assistance, call Traxxas at

1-888-TRAXXAS

(1-888-872-9927) (U.S. residents only)



This device complies with FCC Part 15 & IC RSS-210 rules subject to the following conditions: 1) This device may not cause harmful interference, and 2) This device must accept all interference received, including interference that may cause undesired operation.